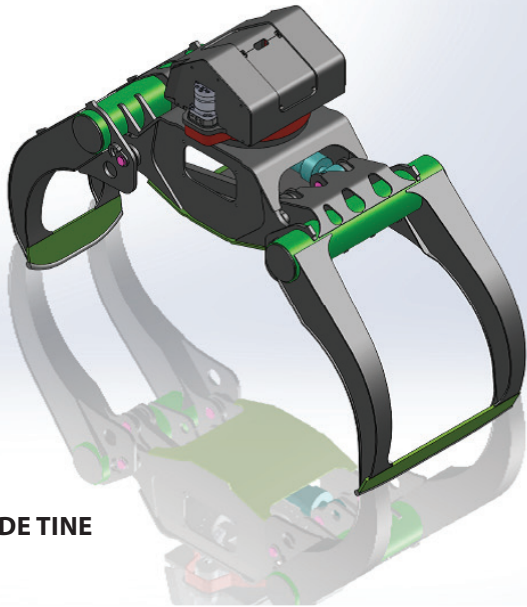
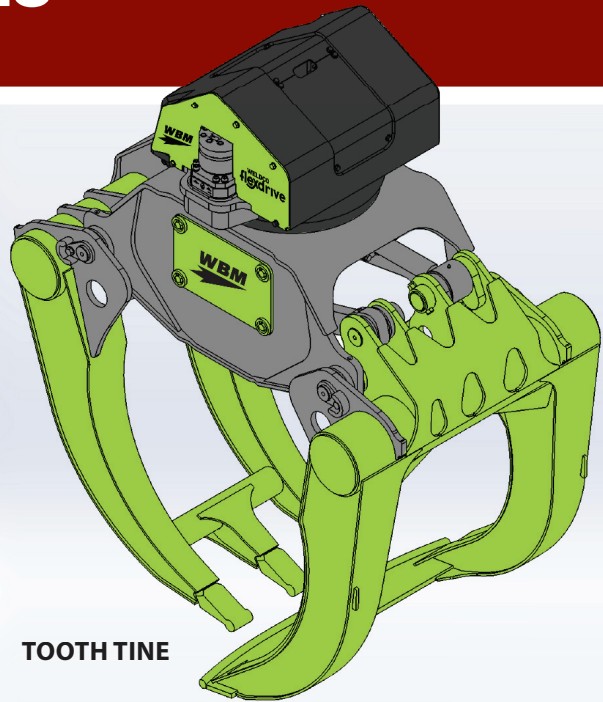


# NEW HCL CLAM GRAPPLES



**SPADE TINE**



**TOOTH TINE**

Introducing Weldco-Beales Manufacturing's new HCL (Horizontal Cylinder and Linkage) Clam Grapples, designed to handle high volume cut-to-length wood in loading and unloading applications.

First in the industry to combine the performance and versatility of a basket style (bunching) grapple jaw arrangement with the proven efficiency of a "power tilt/controlled head" excavator grapple.

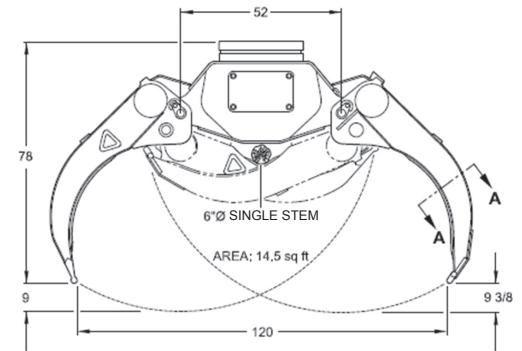
## FEATURES & BENEFITS

- Basket style jaws achieve 120" opening for large loads and close down to 6" to handle a single stem
- Grapple jaws lift and roll the load into a tight round bundle, minimizing stem crossing to achieve faster fill-times
- Designed to match machine capacity, wood length and species (payload) for optimal performance and efficiency
- High strength (alloy) steel construction for optimum payload through superior strength to weight ratio
- Box section jaw profile allows maximum efficiency and easy log flow during loading and unloading
- Open jaw and torque tube design provide excellent visibility and torsional strength
- Single, 5000 psi, high pressure horizontal hydraulic cylinder and timing linkage (HCL) keeps the jaws synchronized at all times, and delivers power to the jaw that needs it most during the loading cycle
- Easy access for greasing and service
- Nose pieces on jaw tines, and round wear bar on leading edge add strength and protection to prevent wood damage
- Cushioned cylinder for smooth operation when fully opening the grapple
- Large area "hard" stops on the jaw cross tubes provide a mechanical stop in the closed position
- Excellent log retention and load balance due to wide stance frame, allowing the load to be "penciled" with ease (no outriggers necessary)
- All pin joints are bored after welding for proper alignment and optimized durability
- Chromed and induction hardened pins are oversized for maximum service life
- Cylinder piping and hosing fully protected inside the pivot frame

Continued on next page »

## MODEL HCL M 14.5 SPECIFICATIONS

<b>Capacity</b>	14.5 Sq. Ft. Tip to Tip
<b>Cycle Time</b>	4 to 5 Pass Bunk Unloading
<b>Opening</b>	120" (wide enough for typical on-highway truck bunks)
<b>Closed</b>	6" (tight against the pivot frame belly)
<b>Width</b>	52.75"
<b>Driving Rotation Torque</b>	310,700"/lb @ 2750 psi / 10rpm @ 34gpm
<b>Holding Rotation Torque</b>	395,000"/lb @ 3500psi
<b>Weight</b>	5,975lb c/w dual high torque motors and typical log loader lugging



## OPTIONS

- Customer-specified lugging
- Tool cylinder and tool cylinder float valve
- Head "balancing" valve
- Hydraulic control valve in head
- Additional hydraulic function and 4 port manifold (swivel) for add-on making it "saw ready"
- 3 tooth inner jaw for when additional clean-up is required
- Single or dual drive motors to provide the desired speed and torque
- Ring gear "auto lube" to eliminate hand lubrication
- Rotation float valve (integral on motor crossover relief block) - an industry first
- Alternate jaw profile and capacity to suit application (loading, sorting, hoe chucking/forwarding)

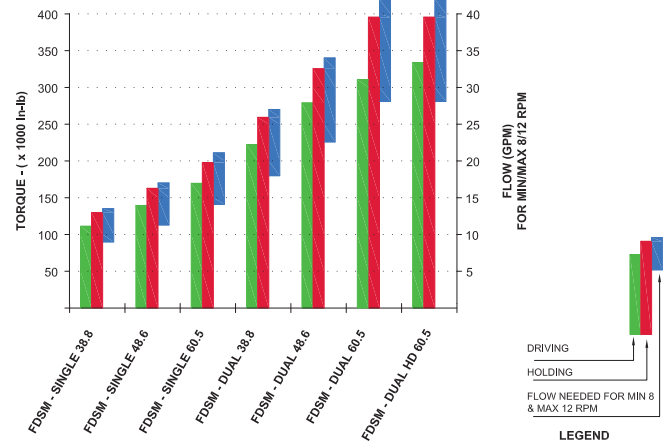
## FEATURING

**WELDCO**  
**flexdrive**

- Weldco's new drive system for XG, XPC, and the new HCL series
- Mix and match components to generate the desired speeds and torques
- 5 standard chassis sizes to suit your machine class
- 6 motor configurations per class for optimum torque requirements
- Integral x relief and rotation float valve



COMPARING  
EX250-350 FDSM (MEDIUM)  
XG500, XPC500 & HCLM DRIVE SYSTEM



**WBM**

**WELDCO-BEALES MFG.**

SPECIALISTS IN ATTACHMENT DESIGN AND MANUFACTURING

**Edmonton, AB**

PH: 1 800 661 0378 | FAX: 780 455 6770

**Barrie, ON**

PH: 1 877 320 4286 | FAX: 705 733 2669

**Langley, BC**

PH: 1 800 665 0511 | FAX: 604 530 2206

**Tacoma, WA**

PH: 1 800 547 6357 | FAX: 253 383 8061

[www.weldco-beales.com](http://www.weldco-beales.com)

