

MOLDBOARD ENDGATES



BOLT-ON MOUNT STYLE



WBM's hydraulically operated Moldboard Endgates allow you to carry snow past driveways, sidewalks, streets and crossroads.

FEATURES AND BENEFITS

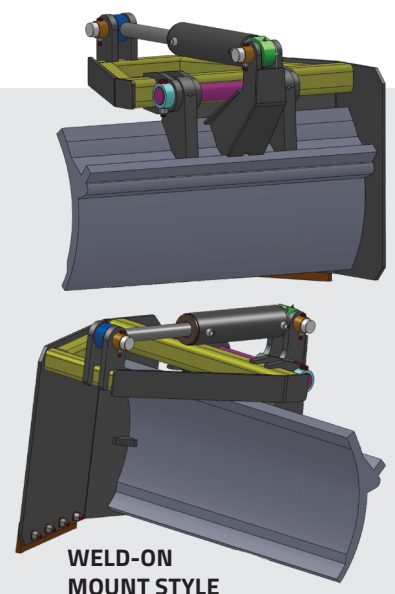
- Rugged design with either a quick bolt-on mount system or fixed weld-on mounts
- Eliminates the need for a second machine to clean up after the motor grader
- Lifts fully out of the way for full use of grader moldboard when required
- Large snow holding and carrying capacity

Note: units require one hydraulic circuit to operate the moldboard endgate raise/lower function.

SPECIFICATIONS

Bolt-on Mount Style Weight <i>(complete assembly)</i>	680 lbs
Weld-on Style Mount Weight <i>(complete assembly)</i>	630 lbs
Cutting Edge Size <i>(maximum)</i>	¾" x 24"

Values above can vary depending on motor grader factory moldboard size and design.



WELD-ON MOUNT STYLE