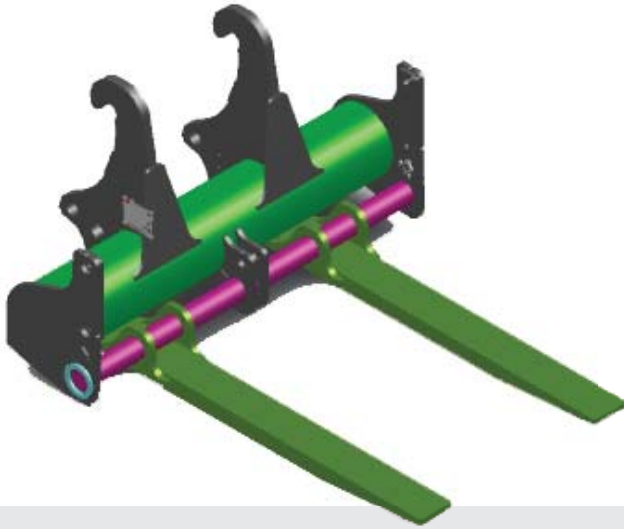


# UNI-BEAM PALLET FORK

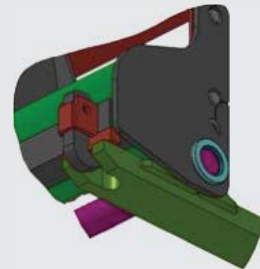


## FEATURES

- Low profile Uni-Beam frame design drastically improves operator visibility over industry standard twin beam frame design
- Adjustable tines
- Frame folds over tines to lower center of gravity for safe storage and transportation
- 80" and 60" standard carriage widths
- Light weight
- Standard taper tines

## OPTIONS

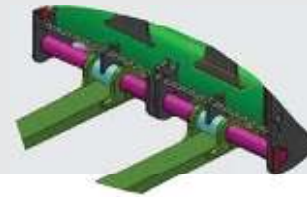
- Bolt-on back rest
- Fork positioner locks
- Fork tine kick-outs
- Custom widths
- Dual taper tines
- Variable tine sizes and lengths



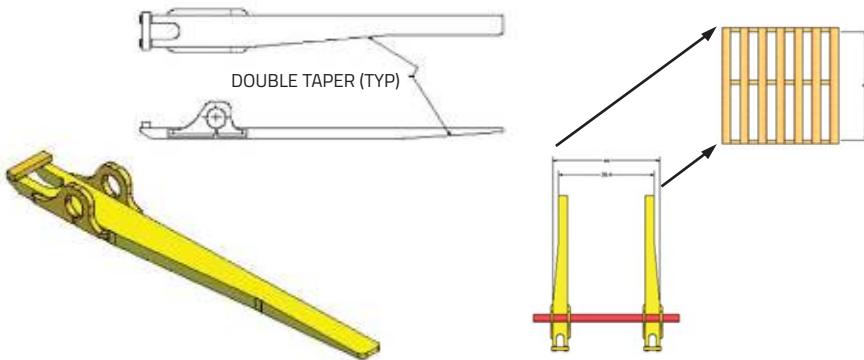
TINE KICK OUTS



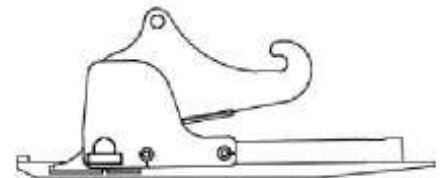
BACKREST



FORK POSITIONER LOCKS



*Dual taper tines allow easy access into pallets when turning.*



STORAGE & TRANSPORT POSITION