

# CUT-TO-LENGTH LOG GRAPPLE



WBM Cut-to-Length Grapples are designed to match your machine, payload, efficiency and performance into one package, perfect for truck unloading and forwarding wood to the mill.

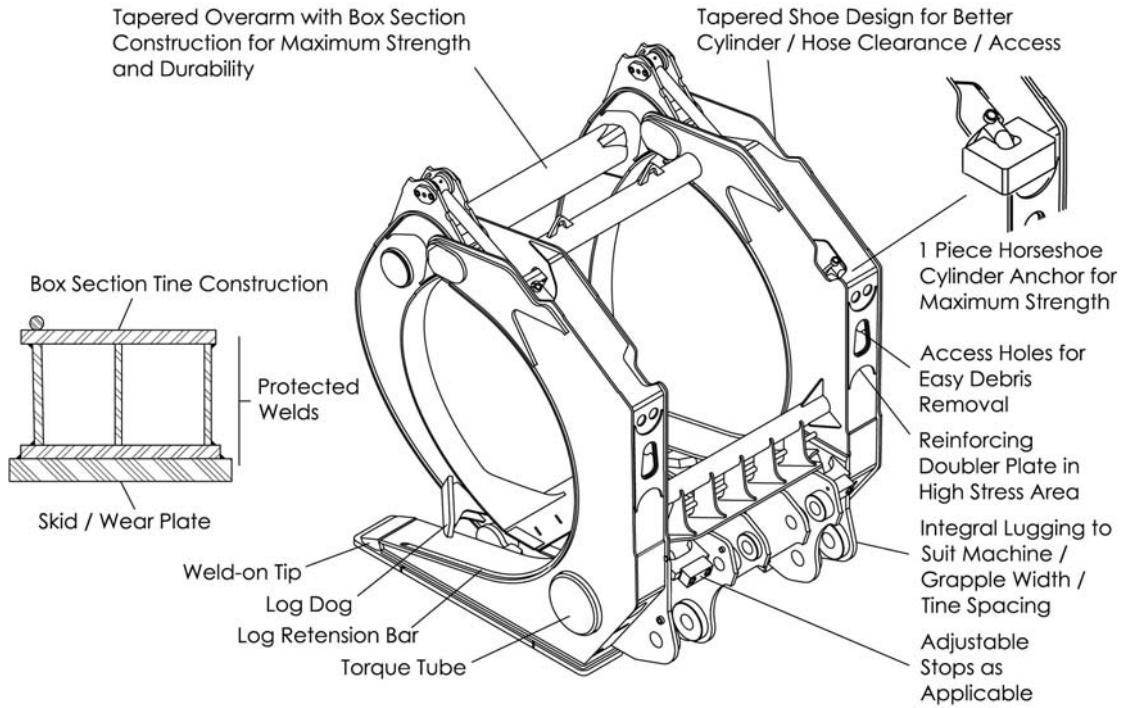
## FEATURES & BENEFITS

- Grapple and overarm profile allows easy flow of logs in and out of the grapple for maximum efficiency
- Torque tube design gives excellent visibility as well as exceptional torsional strength
- Chromed, induction hardened pins/bushings
- Pin joints are bored after welding to eliminate any misalignment and optimize life expectancy
- 3 piece (segmented) skid / wear plates on underside of tines – maintenance cost is reduced, only replace the worn areas as required
- Nose piece – joins to a cross tube and full box section corners for increased strength and wear bar to protect leading edge

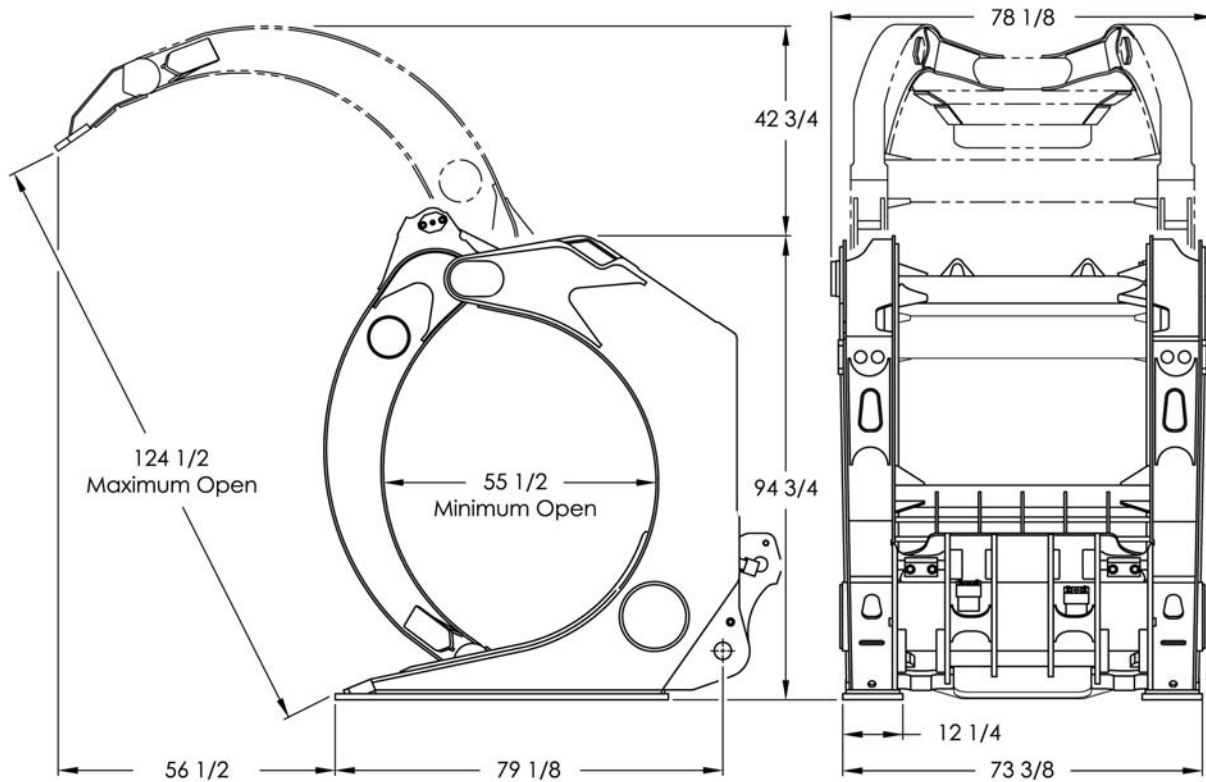
## OPTIONS

- Bolt-on cutting edge between the tines allows for easy clean up around the yard
- Overarm "log dogs" for handling single crossed logs
- Crossover relief c/w make up for maximum cylinder and joint protection
- "Power bar(s)" to optimize machine lift and tilt performance

Continued on next page >>



**SPECIFICATIONS - BASED ON WL400 CLASS 35SQ FT GRAPPLE**



Weight Approx. 8800lb\* configuration and machine dependent