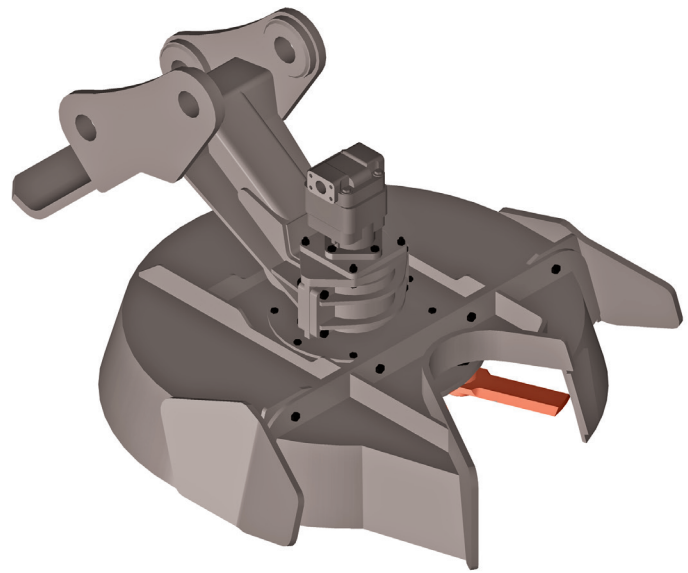
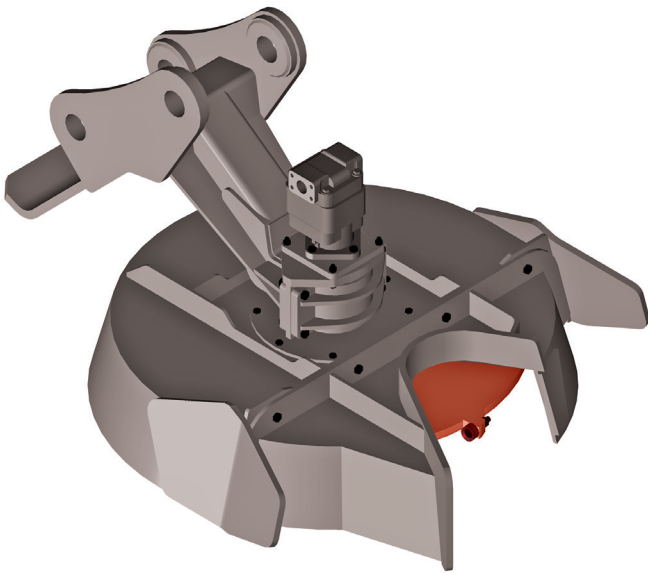


WBM Brush Cutters for Excavators are used in a variety of land clearing applications, primarily in forestry, road construction, and right-of-way maintenance. Our brush cutters are available in both Rotary Flail (ERF) and Rotary Cutter (ERC) configurations, for specific types of work. The design allows for interchangeability of the flail disc assembly with the rigid tooth disc assembly if desired.



WBM ROTARY CUTTERS (ERC)

WBM ROTARY CUTTERS (ERC) are designed for more heavy-duty work where mulching is a requirement, and can safely and easily cut down brush and small trees up to 6" in diameter. The replaceable rigid teeth on the edge are used to saw directly into trees, and the bottom teeth of the cutting disc provides downward mulching as the brush cutter is moved side to side. The cupped tooth design reduces flying debris by deflecting most items downwards and throws out less material than the flail style. The adjustable openings enable operators to choose the direction of the discharged debris.

These brush cutters have a high rim speed, and the fly wheel action reduces the amount of power needed to operate. This all-in-one attachment eliminates the need for any secondary shredding and hauling.

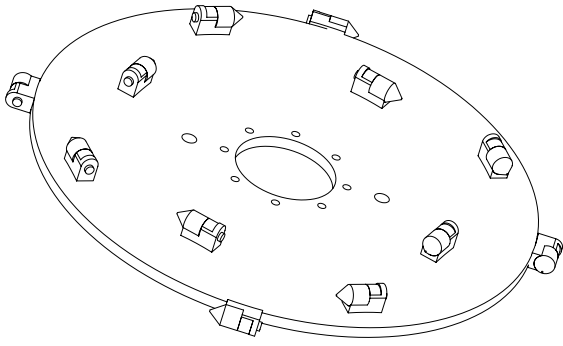
WBM ROTARY FLAILS (ERF)

WBM ROTARY MOWER FLAILS (ERF) are great for clearing smaller trees, tall grasses, and mowing heavy undergrowth and brush up to 3" in diameter, safely and easily.

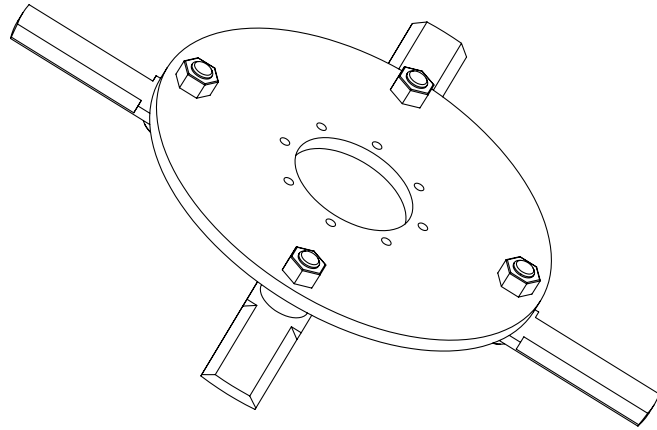
The replaceable rotary blades are made from heat-treated alloy steel which is stronger and longer lasting and will immediately swing back if they hit a solid object. The proper application the consistent RPM provided by both the inertia of the disc and optimum recovery from the proper hydraulic flow continually realign the knives through centrifugal force.

The power-efficient mounted circular disc is designed to store energy released in the form of inertia similar to many feller buncher heads.

Continued on next page »



**EXCAVATOR ROTARY CUTTER (ERC)
(CONE-TYPE DISC)**



**EXCAVATOR ROTARY FLAIL (ERF)
(FLAIL-TYPE DISC)**

ERC & ERF OPTIONAL EQUIPMENT

- 30° left and right side-tilt
- Mounting extensions to for extra height and reach
- Front window guarding with wire mesh screen (recommended to meet local safety requirements)
- Available in either pin-on or quick coupler configurations

AVAILABLE MODELS

- 100-150 series:** 36" ERF/ERC
200 series: 48" ERF/ERC
250 series: 48" and 60" ERF/ERC
300 series: 60" ERF/ERC

RPM AT WHICH ROTARY CUTTER/FLAIL OPERATES

- 36" ERC/ERF requires 32 GPM @ 3,000psi @ 2,000 RPM
- 48" ERC/ERF requires 44 GPM @ 3,000psi @ 2,000 RPM
- 60" ERC/ERF requires 52 GPM @ 3,000psi @ 2,000 RPM